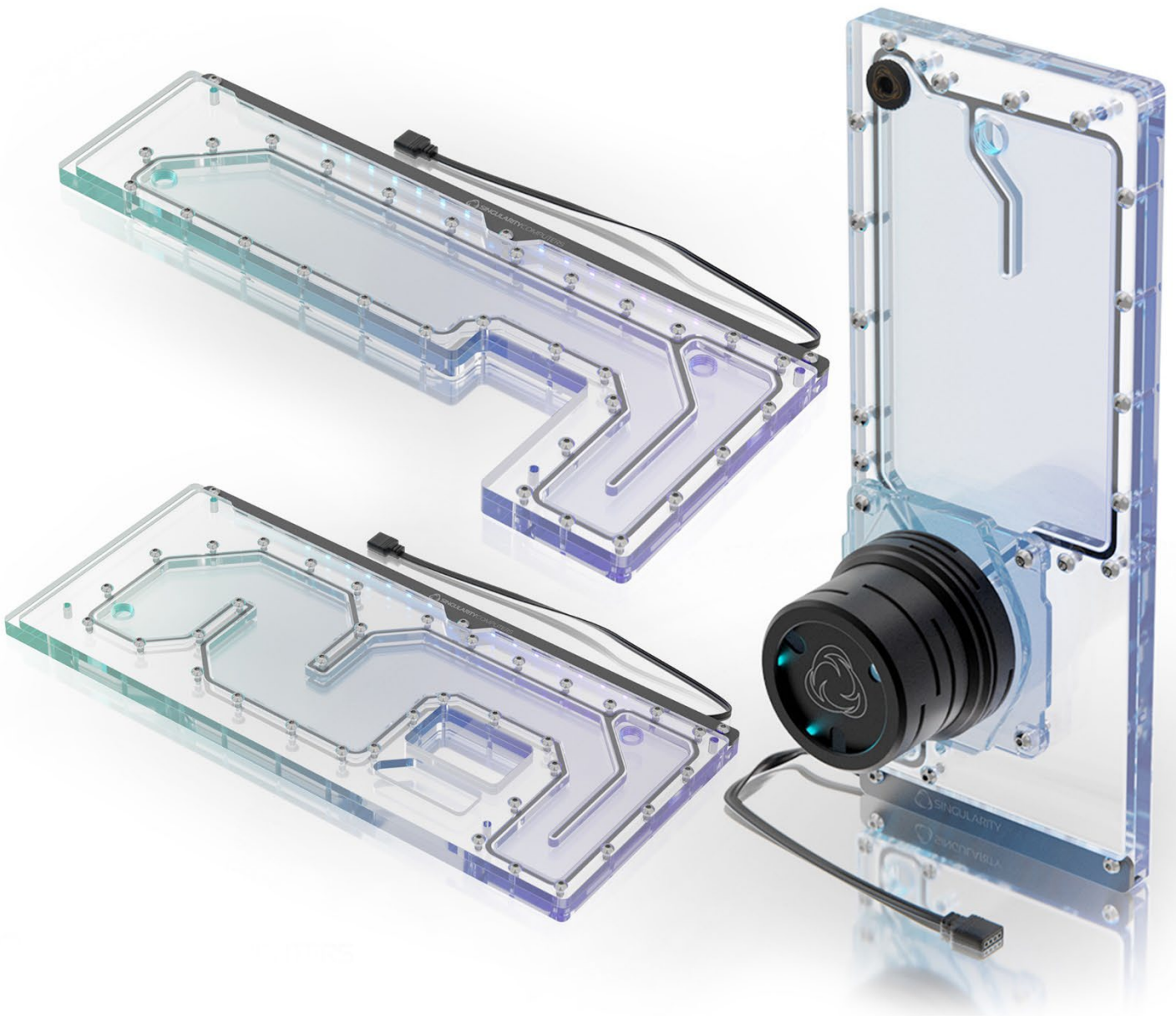


# INWIN 925 DISTRIBUTION PLATES



# MANUAL

Revision 1.0

## Table of Contents

Introduction .....	2
Specifications & Included Items .....	3
Installation.....	3
Dimensions .....	4

## **Introduction**

### **Inwin 925 D5 Reservoir Distribution Plate**

D5 and Reservoir Distribution Plate for the Inwin 925 for installation next to the motherboard. Attaches to existing holes on the case, no need for modifications. The distribution plate is built from CNC machined clear cast acrylic and uses gaskets instead of O-Rings, for increased durability. Hand assembled with stainless steel fasteners. Designed for maximum reservoir volume to make filling and air removal easier. There is an integrated ARGB LED strip with an Accent Cover. There is also a Back Plate included to cover the rear side of the Distribution Plate so that you can't see the case panels behind it. Choose from various color options for the Accent Cover and Back Plate to suit your preferences.

### **Inwin 925 Mid Distribution Plate**

Horizontal Distribution Plate which fits onto the Inwin 925 mid plate. It covers the mid plate for the best possible aesthetics but removes compatibility for the vertical GPU mount (we have another version available which is compatible with the vertical GPU mount). Attaches to existing holes on the case, no need for modifications. The distribution plate is built from CNC machined clear cast acrylic and uses gaskets instead of O-Rings for increased durability. Hand assembled with stainless steel fasteners. There is an integrated ARGB LED strip with an Accent Cover. There is also a Back Plate included to cover the rear side of the Distribution Plate so that you can't see the case panels behind it. Choose from various color options for the Accent Cover and Back Plate to suit your preferences.

### **Inwin 925 Mid Distribution Plate Vertical GPU**

Horizontal Distribution Plate designed to fit onto the Inwin 925 mid plate while maintaining compatibility with the vertical GPU mount (Note: Another version is available that removes compatibility for the vertical GPU but covers the entire Inwin 925 mid plate). Attaches to existing holes on the case, no need for modifications. The distribution plate is built from CNC machined clear cast acrylic and uses gaskets instead of O-Rings for increased durability. Hand assembled with stainless steel fasteners. There is an integrated ARGB LED strip with an Accent Cover. There is also a Back Plate included to cover the rear side of the Distribution Plate so that you can't see the case panels behind it. Choose from various color options for the Accent Cover and Back Plate to suit your preferences.

## Specifications & Included Items

	Inwin 925		
	D5 Reservoir Distribution Plate	Mid Distribution Plate	Mid Distribution Plate Vertical GPU
<b>Distribution Plate</b>	x1 x1 Rear Cover	x1 x1 Rear Cover Plate	x1 x1 Back Cover Plate
<b>Integrated LED Strip</b>	ARGB 5V with 50cm cable.		
<b>Fasteners</b>	Stainless Steel. M3 x 25mm x 4. M3 Nuts x4. M3 Washers x4.		
<b>Gaskets</b>	Silicone Black.		
<b>Materials</b>	Cast Acrylic.		
<b>Manufacturing Process</b>	CNC Router.		
<b>Assembly</b>	Assembled by hand and pressure tested		
<b>Packaged Weight</b>	1.5kg	2kg	1.5kg
<b>Packaged Dimension</b>	30mm x 120mm x 100mm	400mm x 200mm x 50mm	400mm x 200mm x 50mm

## Installation

All distribution plates mount to existing mounting holes on the case. Put the distribution plate in position and move it until the mounting holes align with the mounting holes on the case. The included covers can be used between the distribution plates and the case to improve aesthetics. Use the included M3 x 25mm Fasteners and M3 Nuts and Washers to attach the Distribution Plate.

Please make sure to use the included O-Rings when installing the pumps. Remove the pump covers from the distribution plate, install the O-Rings into the O-Ring grooves on the pump tops. Then push the pump into the pump top and screw the cover on. Tighten the pump covers down firmly. Pressure testing is recommended but do not pressure test past 0.5 bar.

# Dimensions & Port Layout

📏 Dimensions are in millimetres

