

# ARTERIAL 2



# MANUAL

Revision 1.0

## **Table of Contents**

<b>Arterial 2 Mini Dual 240mm Water-box.....</b>	<b>2</b>
Specifications & Included Items .....	2
Dimensions & Port Layout.....	2
Pump Installation.....	3
Filling & Draining.....	3
<b>Arterial 2 Dual 560mm Water-box.....</b>	<b>4</b>
Specifications & Included Items .....	4
Installation.....	4
Dimensions & Port Layout.....	6
Pump Installation.....	6
Filling & Draining.....	6

## Arterial 2 Mini Dual 240mm Water-box

Arterial 2 Mini Dual 240mm Water-box is a dedicated high-end water-cooling enclosure with a distribution plate which integrates a reservoir and pump top. It fits dual 45mm thick 240mm radiators with a single set of fans and a DDC. All components are CNC machined, the enclosure is built from 3mm 6061 aluminum, the distribution plate from cast acrylic and the fasteners are stainless steel.

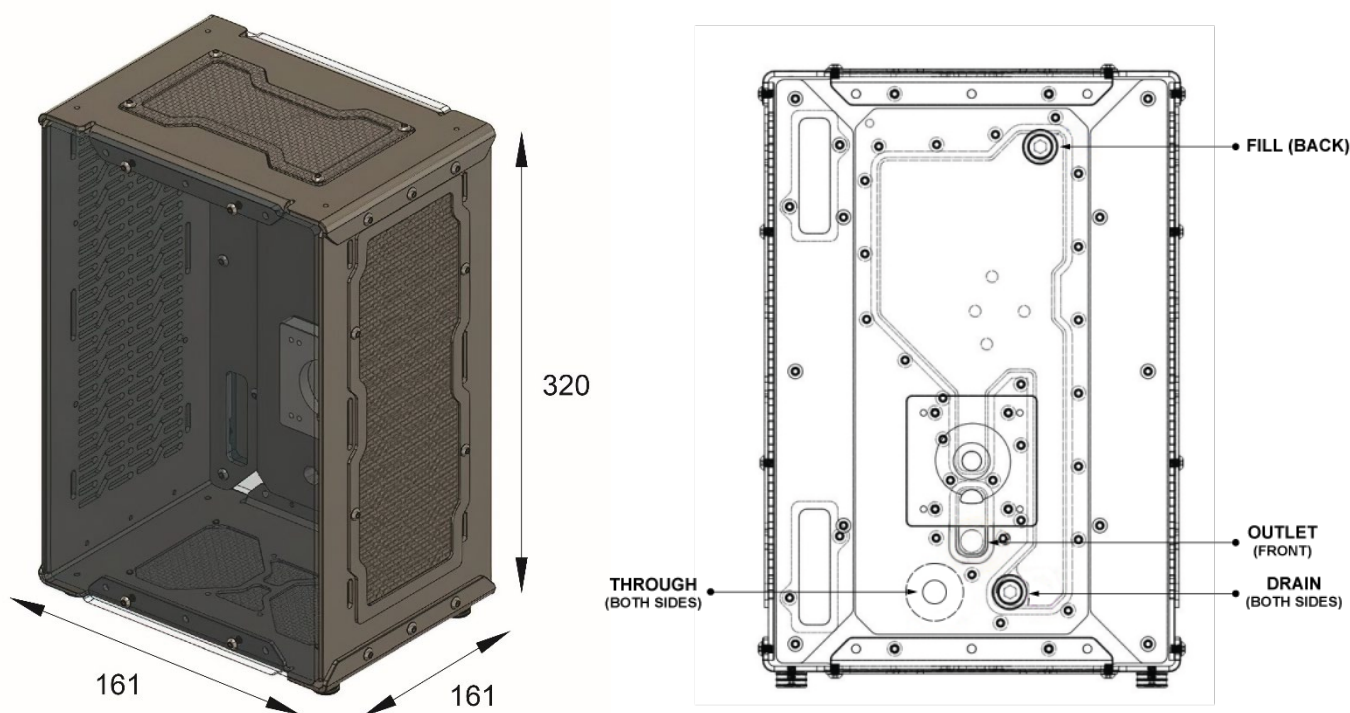
Arterial 2 has been completely redesigned. The enclosure is now built from folded aluminum which greatly improves strength and gives a more streamlined aesthetic. All ventilation is now dust filtered. The distribution plate has been re designed for increased fluid volume.

### Specifications & Included Items

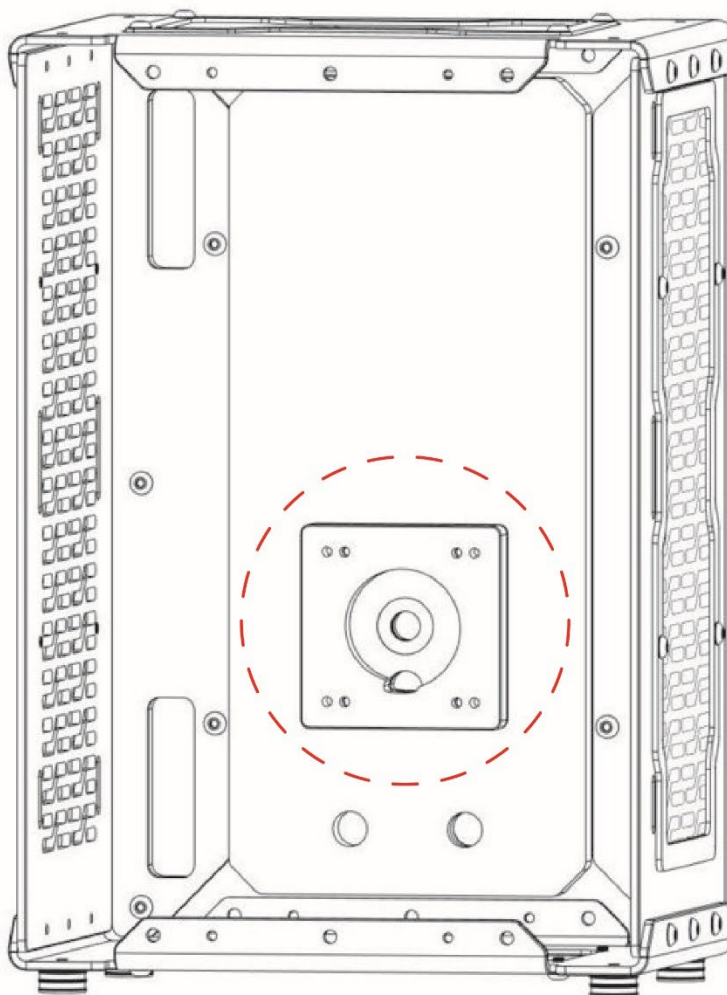
<b>Water-box enclosure</b>	6061 Aluminum, CNC Machined, Anodized.
<b>Distribution Plate</b>	Clear Cast Acrylic, CNC Machined.
<b>DDC Pump Top</b>	Clear Cast Acrylic, CNC Machined.
<b>SC Stop Fittings</b>	x2 Brass, Powder coated, Laser Etched.
<b>Side Panel Window</b>	x1 Clear Cast Acrylic, CNC Machined.
<b>LED Strip</b>	x1 Spectrum 2.0 50cm 5V D-RGB LED Strip.
<b>Dimensions</b>	W: 220mm x L: 155mm x H: 320mm
<b>Packaged Dimensions</b>	W: 300mm x L: 200mm x H: 400mm
<b>Weight</b>	4 kg
<b>Packaged Weight</b>	5 kg

### Dimensions & Port Layout

**i** Dimensions are in millimetres

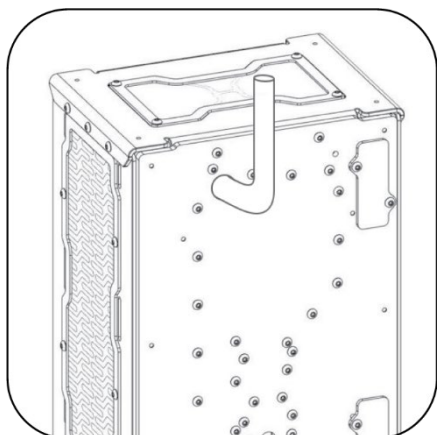


## Pump Installation



Install DDC Pump at the marked area in the diagram. Use the pump cover, fasteners and O-Ring which come included with your DDC Pump or any DDC covers and/or heat sinks are also compatible. Do not over tighten fasteners on acrylic.

## Filling & Draining



Arterial 2.0 Water-boxes have a dedicated fill and drain port. When filling it is best to connect a fill tube at least 20cm long. This is to prevent any overflow from back flow when the pump/s are turned off and helps to get the last of the air out. For draining a drain valve needs to be added to the drain port, or if you are using quick disconnects then the water-box could also be drained from those.

## Arterial 2 Dual 560mm Water-box

Arterial 2 Dual 560mm Water-box is a dedicated high-end water-cooling enclosure with a distribution plate which integrates a reservoir, pump tops and pump covers. It fits dual 85mm thick 560mm radiators, push pull fans and a dual D5 configuration in series. All components are CNC machined, the enclosure is built from 3mm 6061 aluminum, the distribution plate from cast acrylic and the fasteners are stainless steel.

Arterial 2 has been completely redesigned. The enclosure is now built from folded aluminum which greatly improves strength and gives a more streamlined aesthetic. All ventilation is now dust filtered. The distribution plate has been re designed for increased fluid volume.

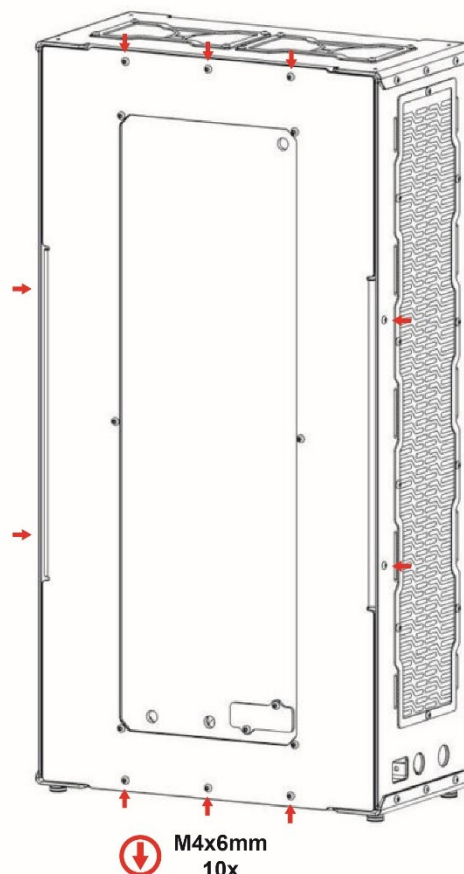
### Specifications & Included Items

<b>Water-box enclosure</b>	6061 Aluminum, CNC Machined, Anodized.
<b>Distribution Plate</b>	Clear Cast Acrylic, CNC Machined.
<b>DDC Pump Top</b>	Clear Cast Acrylic, CNC Machined.
<b>SC Stop Fittings</b>	x2 Brass, Powder coated, Laser Etched.
<b>Side Panel Window</b>	x1 Clear Cast Acrylic, CNC Machined.
<b>LED Strip</b>	x1 Spectrum 2.0 50cm 5V D-RGB LED Strip.
<b>Dimensions</b>	W: 220mm x L: 155mm x H: 320mm
<b>Packaged Dimensions</b>	W: 300mm x L: 200mm x H: 400mm
<b>Weight</b>	4 kg
<b>Packaged Weight</b>	5 kg

### Installation

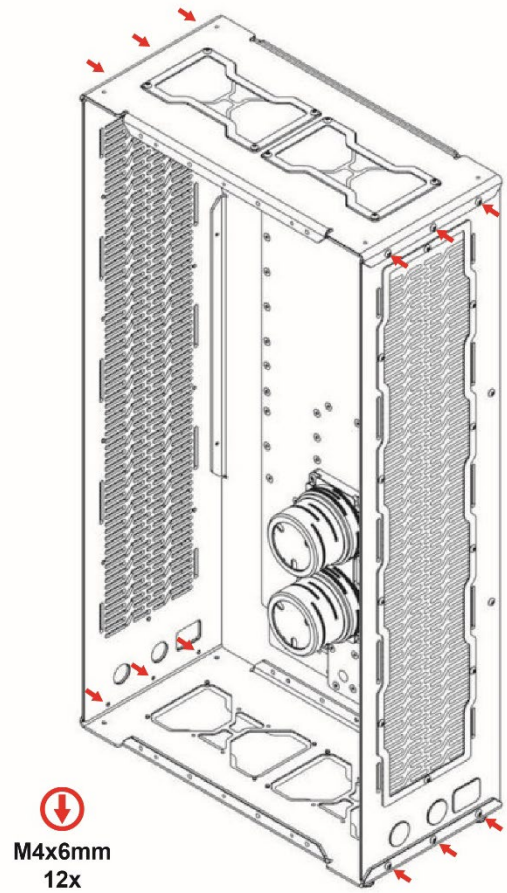
#### Step 1

Attach the Top and Bottom Panels to the two Radiator Mounting Panels using the included M4 6mm Fasteners x12 which are marked in the diagram.



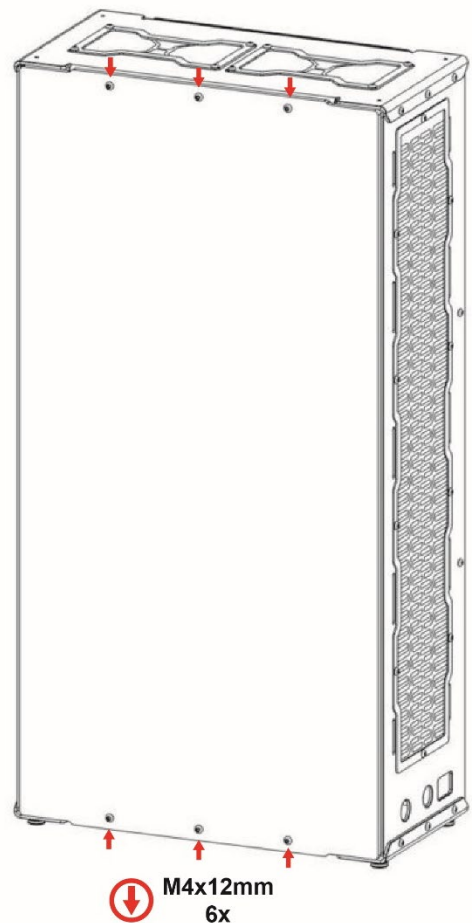
**Step 2**

Attach the Distribution Plate Panel to the chassis using the included M4 6mm Fasteners x10 which are marked in the diagram.



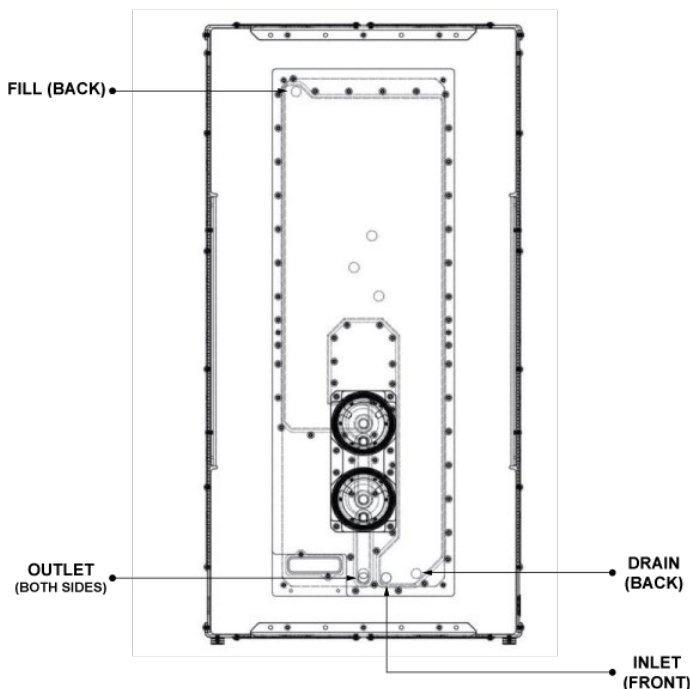
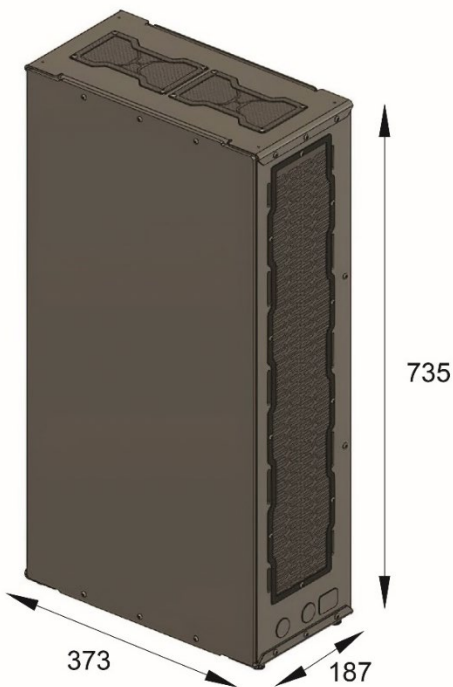
**Step 3**

Attach the side panel window using the included M4 12mm Fasteners x6 which are marked in the diagram.



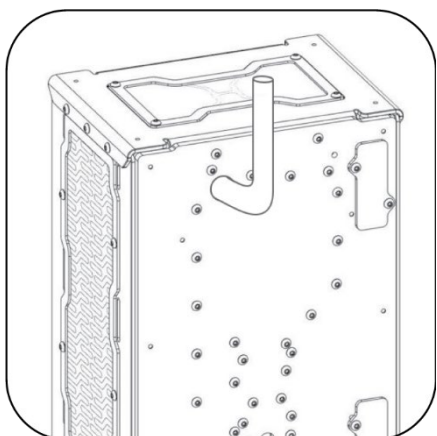
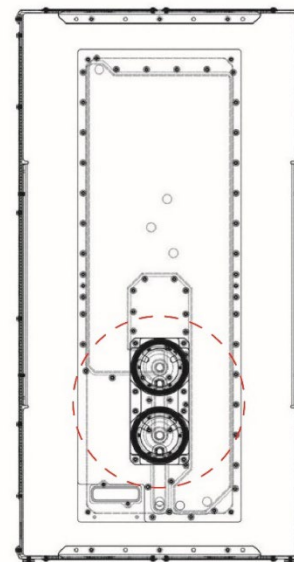
## Dimensions & Port Layout

❶ Dimensions are in millimetres



## Pump Installation

Any D5 Pump is compatible. Use the included O-Rings, place them into the O-Ring groove on the pump top, then place the D5 pump motor into the pump top and put the pump cover over the pump. Screw the pump cover down firmly onto the pump top. Make sure the O-Ring stays in position while you are tightening the D5 Pump Cover.



## Filling & Draining

Arterial 2.0 Water-boxes have a dedicated fill and drain port. When filling it is best to connect a fill tube at least 20cm long. This is to prevent any overflow from back flow when the pump/s are turned off and helps to get the last of the air out. For draining a drain valve needs to be added to the drain port, or if you are using quick disconnects then the water-box could also be drained from those.