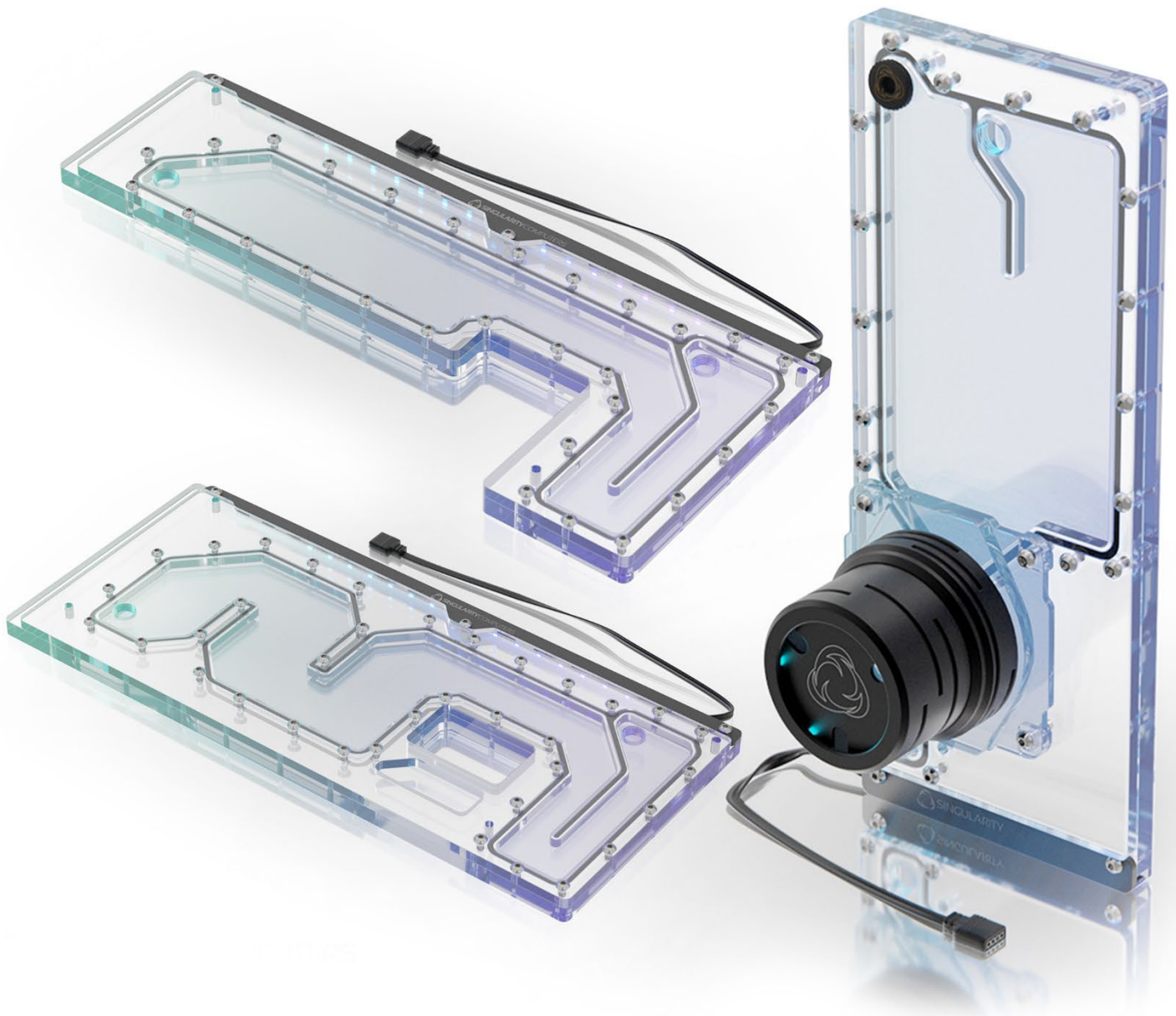


INWIN 925 DISTRIBUTION PLATES



MANUAL

Revision 1.1

Table of Contents

Introduction.....	2
Specifications & Included Items	3
Installation.....	3
Dimensions, Flow Diagram & Port Layout.....	4

Introduction

Inwin 925 D5 Reservoir Distribution Plate

D5 and Reservoir Distribution Plate for the Inwin 925 for installation next to the motherboard. Attaches to existing holes on the case, no need for modifications. The distribution plate is built from CNC machined clear cast acrylic and uses gaskets instead of O-Rings, for increased durability. Hand assembled with stainless steel fasteners. Designed for maximum reservoir volume to make filling and air removal easier. There is an integrated ARGB LED strip with an Accent Cover. There is also a Back Plate included to cover the rear side of the Distribution Plate so that you can't see the case panels behind it. Choose from various color options for the Accent Cover and Back Plate to suit your preferences.

Inwin 925 Mid Distribution Plate

Horizontal Distribution Plate which fits onto the Inwin 925 mid plate. It covers the mid plate for the best possible aesthetics but removes compatibility for the vertical GPU mount (we have another version available which is compatible with the vertical GPU mount). Attaches to existing holes on the case, no need for modifications. The distribution plate is built from CNC machined clear cast acrylic and uses gaskets instead of O-Rings for increased durability. Hand assembled with stainless steel fasteners. There is an integrated ARGB LED strip with an Accent Cover. There is also a Back Plate included to cover the rear side of the Distribution Plate so that you can't see the case panels behind it. Choose from various color options for the Accent Cover and Back Plate to suit your preferences.

Inwin 925 Mid Distribution Plate Vertical GPU

Horizontal Distribution Plate designed to fit onto the Inwin 925 mid plate while maintaining compatibility with the vertical GPU mount (Note: Another version is available that removes compatibility for the vertical GPU but covers the entire Inwin 925 mid plate). Attaches to existing holes on the case, no need for modifications. The distribution plate is built from CNC machined clear cast acrylic and uses gaskets instead of O-Rings for increased durability. Hand assembled with stainless steel fasteners. There is an integrated ARGB LED strip with an Accent Cover. There is also a Back Plate included to cover the rear side of the Distribution Plate so that you can't see the case panels behind it. Choose from various color options for the Accent Cover and Back Plate to suit your preferences.

Specifications & Included Items

	Inwin 925		
	D5 Reservoir Distribution Plate	Mid Distribution Plate	Mid Distribution Plate Vertical GPU
Distribution Plate	x1 x1 Rear Cover	x1 x1 Rear Cover Plate	x1 x1 Back Cover Plate
Integrated LED Strip	ARGB 5V with 50cm cable.		
Fasteners	Stainless Steel. M3 x 25mm x 4. M3 Nuts x4. M3 Washers x4.		
Gaskets	Silicone Black.		
Materials	Cast Acrylic.		
Manufacturing Process	CNC Router.		
Assembly	Assembled by hand and pressure tested		
Packaged Weight	1.5kg	2kg	1.5kg
Packaged Dimension	30mm x 120mm x 100mm	400mm x 200mm x 50mm	400mm x 200mm x 50mm

Installation

All distribution plates mount to existing mounting holes on the case. Put the distribution plate in position and move it until the mounting holes align with the mounting holes on the case. The included covers can be used between the distribution plates and the case to improve aesthetics. use the included M3 x 25mm Fasteners and M3 Nuts and Washers to attach the Distribution Plate.

Please make sure to use the included O-Rings when installing the pumps. Remove the pump covers from the distribution plate, install the O-Rings into the O-Ring grooves on the pump tops. Then push the pump into the pump top and screw the cover on. Tighten the pump covers down firmly. Pressure testing is recommended but do not pressure test past 0.5 bar.

Dimensions, Flow Diagram & Port Layout

❶ Dimensions are in millimetres

